

IEC Appliance Inlet C14, Screw-on Mounting, Front or Rear Side, Solder or Quick-connect or Screw-on Terminal



C14



70 °C



Description

- Panel Mount:
Screw-on mounting, front or rear-side
- Appliance Inlet, Pin temperature 70 °C, Protection class I

Approvals

- VDE License Number: 40011871
- UL License Number: E96454
- CSA License Number: 27324

References

[General Product Information](#)

Weblinks

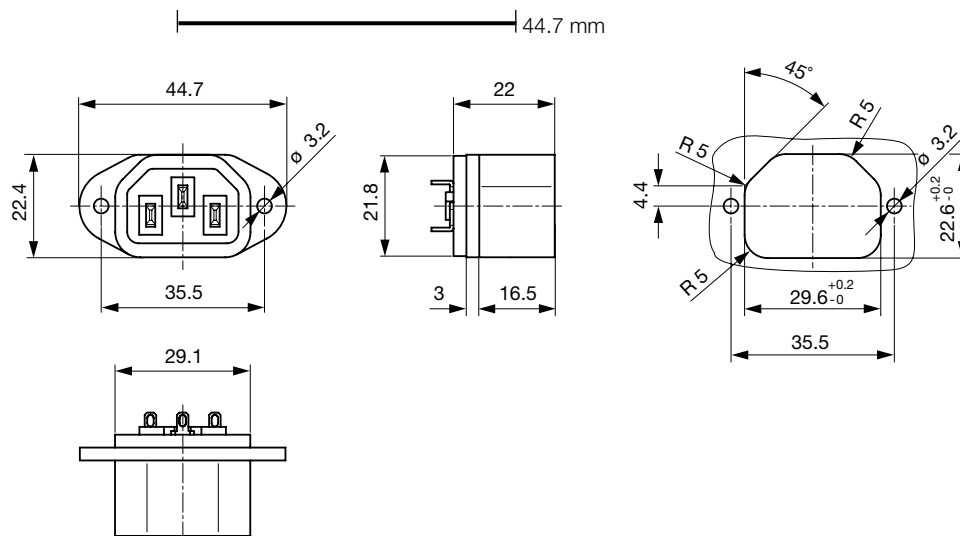
[Approvals](#), [RoHS](#), [CHINA-RoHS](#), [Mating Connectors](#), [Distributor-Stock-Check](#), [Accessories](#)

Technical Data

Ratings IEC	10A / 250VAC; 50Hz
Ratings UL/CSA	15A / 250VAC; 60Hz
Dielectric Strength	> 3 kVAC between L-N > 1.5 kVAC between L/N-PE (1 min/50Hz)
Allowable Operation Temp.	-25 °C to 70 °C
Degree of Protection	from front side IP 20 acc. to IEC 60529
Protection Class	Suitable for appliances with protection class 2 acc. to IEC 61140
Material: Housing	UL 94V-0

Appliance Inlet	C14 acc. to IEC/EN 60320-1 UL 498, CSA C22.2 no. 42 (for cold conditions) pin-temperature 70 °C, 10A, Protection Class 1
-----------------	---

Dimensions



Length of the terminal please find at the order code configuration table

Config. Code

Product Configurator

6048 - H - A B C 0 - D - E

The characters are placeholders for the correspondingly keys of selections from the key tables.

6048 - H - A B C 0 - D - E = Type

Type	Configuration key
protection class 1	X

6048 - H - A B C 0 - D - E = Terminals

Terminal L	Configuration key
short solder terminal (L=4,8mm)	2
long solder terminal (L=8,5mm)	3
blade terminal (2,8x0,8mm)	7
blade terminal (4,8x0,8mm)	8
blade terminal (6,3x0,8mm)	9
screw terminal	A



6048 - H - A B C 0 - D - E = Terminals

Terminal N	Configuration key
short solder terminal (L=4,8mm)	2
long solder terminal (L=8,5mm)	3
blade terminal (2,8x0,8mm)	7
blade terminal (4,8x0,8mm)	8
blade terminal (6,3x0,8mm)	9
screw terminal	A

Symbols similar as in table A

6048 - H - A B C 0 - D - E = Terminals

Terminal Ground	Configuration key
short solder terminal (L=4,8mm)	2
long solder terminal (L=8,5mm)	3
blade terminal (2,8x0,8mm)	7
blade terminal (4,8x0,8mm)	8
blade terminal (6,3x0,8mm)	9
screw terminal	A

Symbols similar as in table A

6048 - H - A B C 0 - D - E = Color

Color	Configuration key
jet black; RAL9005	A
silver grey; RAL7001	B
pure white; RAL9010	D

standard color: black

6048 - H - A B C 0 - D - E = Style

Style	Configuration key
flange with through holes	2
flange with through holes (special type)	7

Variants

Config. Code	Description	Order Number
6048-X-2220-A-2	6048, IEC Appliance Inlet C14, 70°C, version: 1, L: short solder terminal (L=4,8mm), N: short solder terminal (L=4,8mm), ground: short solder terminal (L=4,8mm), color: jet black; RAL9005, design: flange with through holes, dimension X:	6162.0040
6048-X-2220-A-7	6048, IEC Appliance Inlet C14, 70°C, version: 1, L: short solder terminal (L=4,8mm), N: short solder terminal (L=4,8mm), ground: short solder terminal (L=4,8mm), color: jet black; RAL9005, design: flange with through holes (special type), dimension X:	6162.0041
6048-X-8880-A-2	6048, IEC Appliance Inlet C14, 70°C, version: 1, L: blade terminal (4,8x0,8mm), N: blade terminal (4,8x0,8mm), ground: blade terminal (4,8x0,8mm), color: jet black; RAL9005, design: flange with through holes, dimension X:	6162.0042
6048-X-9990-A-2	6048, IEC Appliance Inlet C14, 70°C, version: 1, L: blade terminal (6,3x0,8mm), N: blade terminal (6,3x0,8mm), ground: blade terminal (6,3x0,8mm), color: jet black; RAL9005, design: flange with through holes, dimension X:	6162.0043

The listed variants should be available from stock. Other versions on request www.schurter.com/contact

Packaging unit

50 Pcs

Mating Outlets/Connectors

Category / Description

Appliance Outlet Overview complete



IEC Appliance Outlet F, Screw-on Mounting, Front Side, Solder or Quick-connect Terminal	4787
IEC Appliance Outlet F, Snap-in Mounting, Front Side, Solder or Quick-connect Terminal	4788
IEC Appliance Outlet F or H, Screw-on Mounting, Front Side, Solder, PCB or Quick-connect Terminal	5091
IEC Appliance Outlet F or H, Screw-on Mounting, Front Side, Solder or Quick-connect Terminal	5092

Appliance Outlet further types to 6048


[Connector Overview complete](#)

IEC Connector C15, Rewireable, Straight	0101
IEC Connector C15A, Rewireable, Straight	0102
IEC Connector C15A, Rewireable, Straight	0102-G
IEC Connector C15A, Rewireable, Angled	0112
IEC Connector C13, Rewireable, Angled	4012
Connector further types to 6048	...

[Power Cord Overview complete](#)


Power Cord with IEC Connector C13, Angled	0311
Power Cord with IEC Connector C13, Angled	3011
Power Cord with IEC Connector C13, Angled	3012
Power Cord with IEC Connector C13, Angled	3013
Power Cord with IEC Connector C13	3020
Power Cord further types to 6048	...

[Power Supply or Interconnection Cord Overview complete](#)

Divers Power Supply and Interconnection Cords 10 A	Kabelverbindung/10 A
--	----------------------

[Power Supply or Interconnection Cord further types to 6048](#)